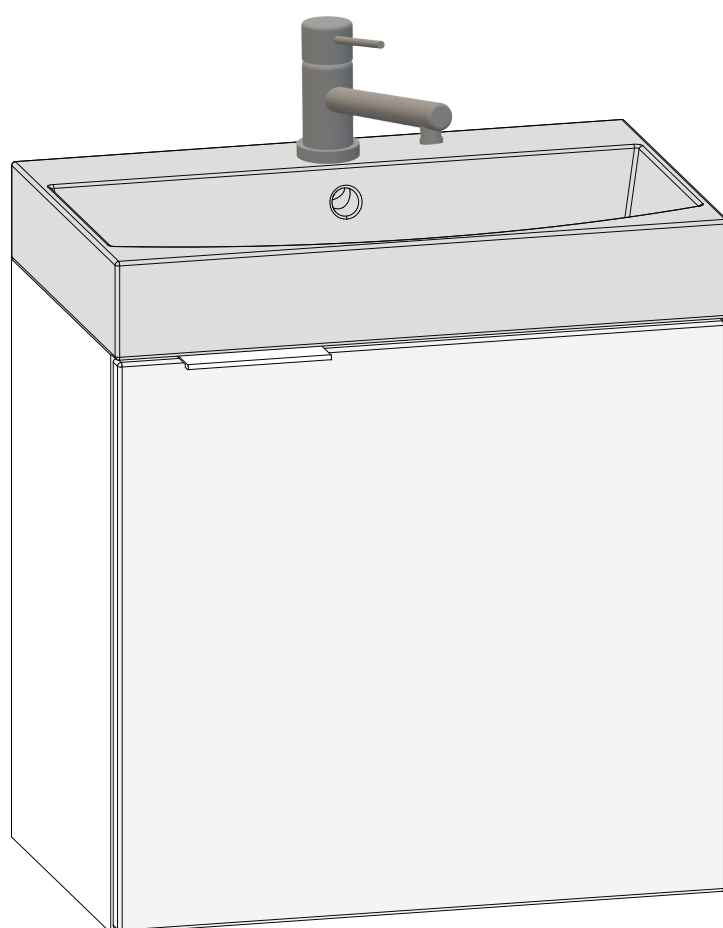
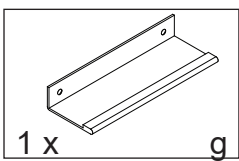
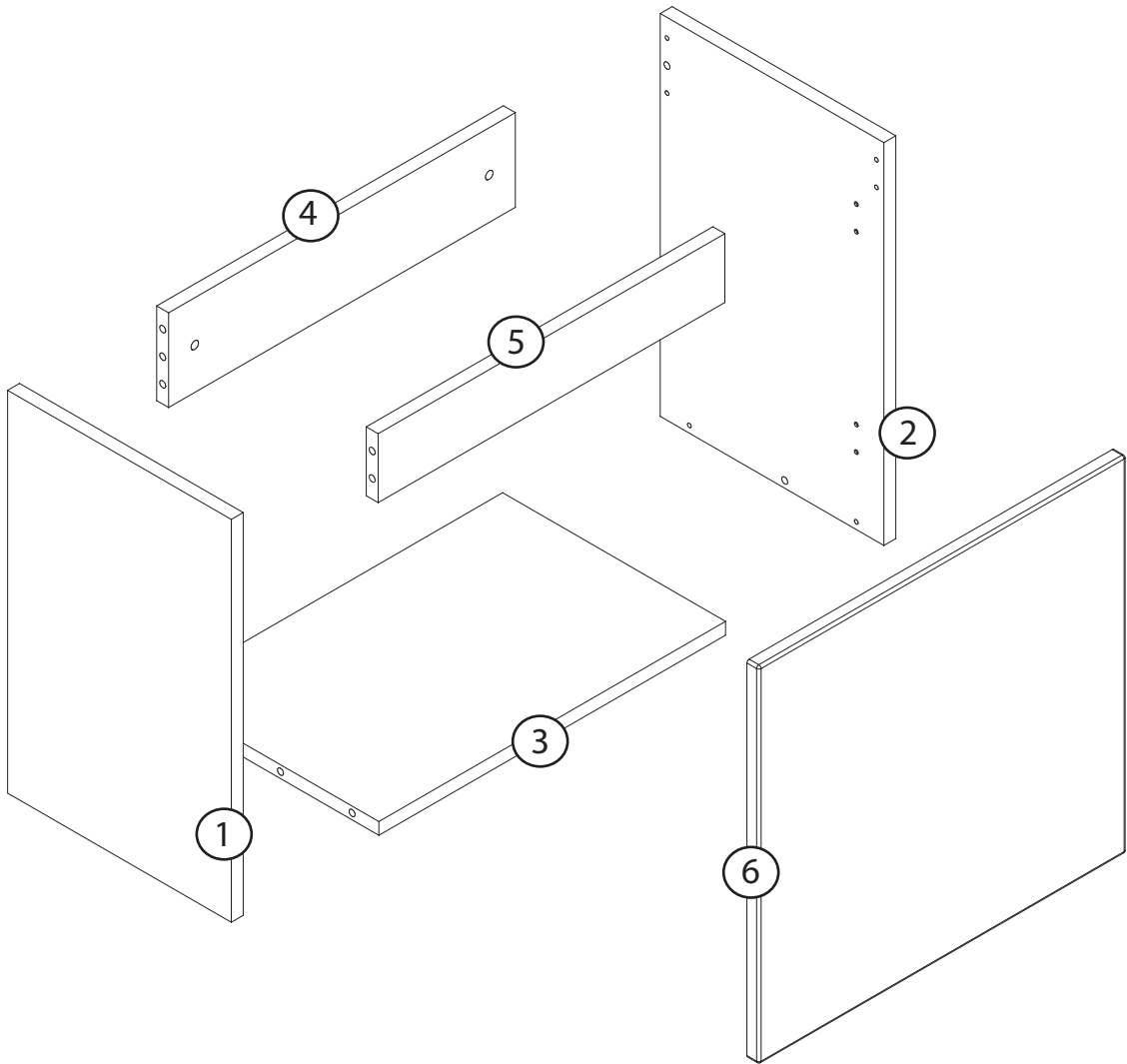
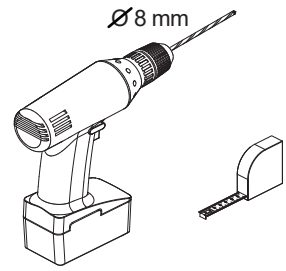
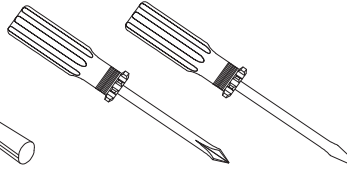
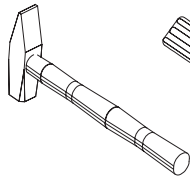
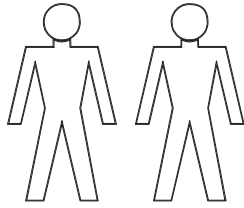


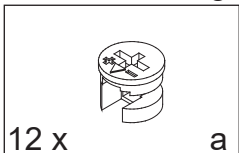
B240, B241





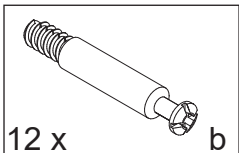
1 x

g



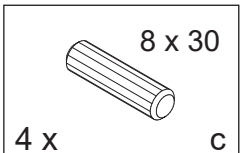
12 x

a



12 x

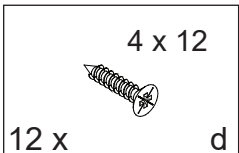
b



8 x 30

4 x

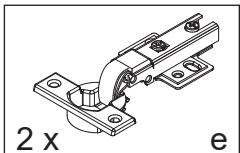
c



4 x 12

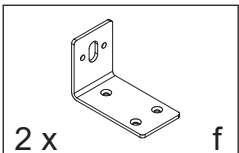
12 x

d



2 x

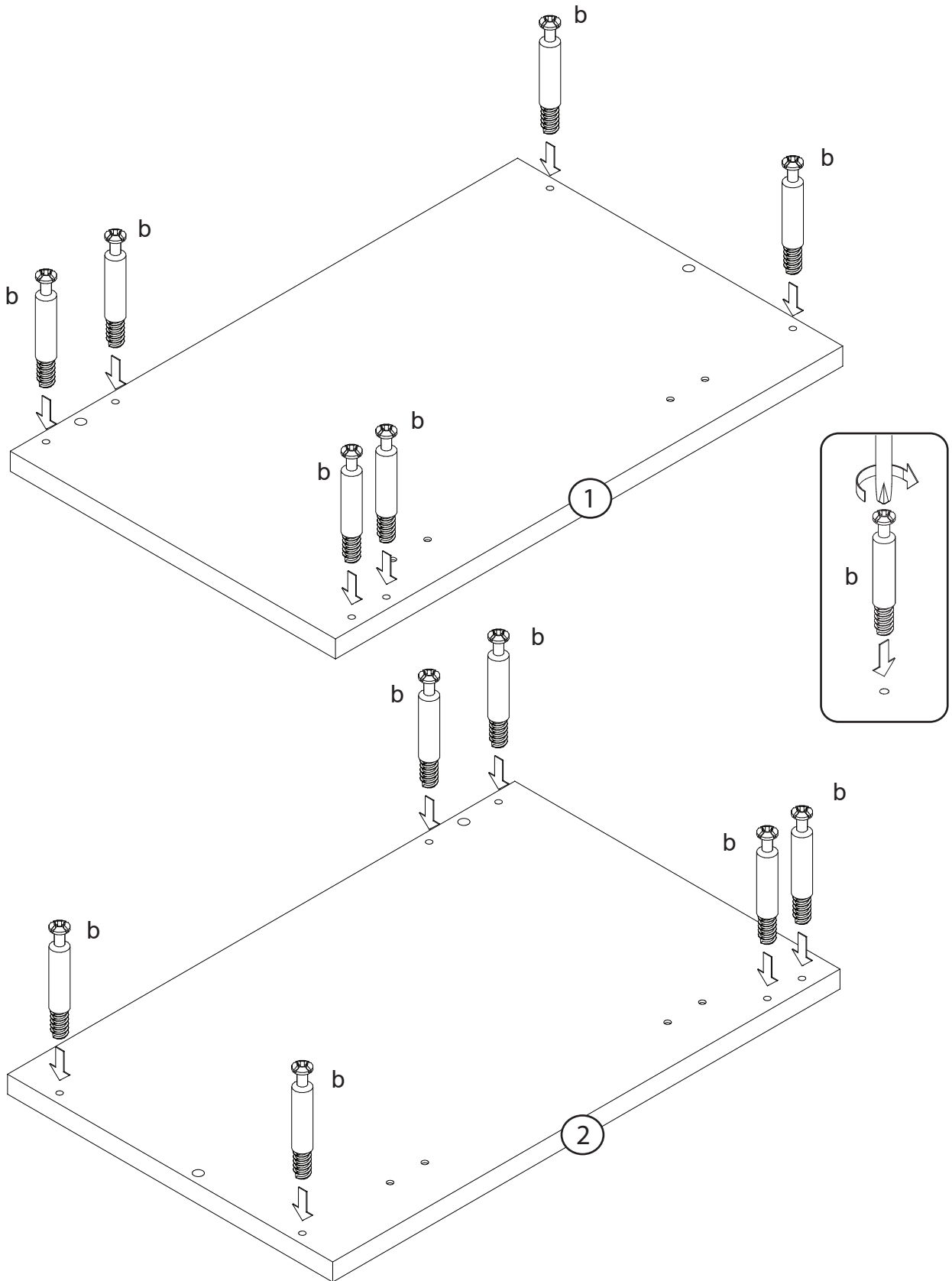
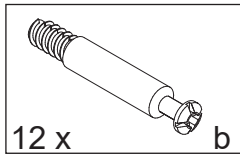
e



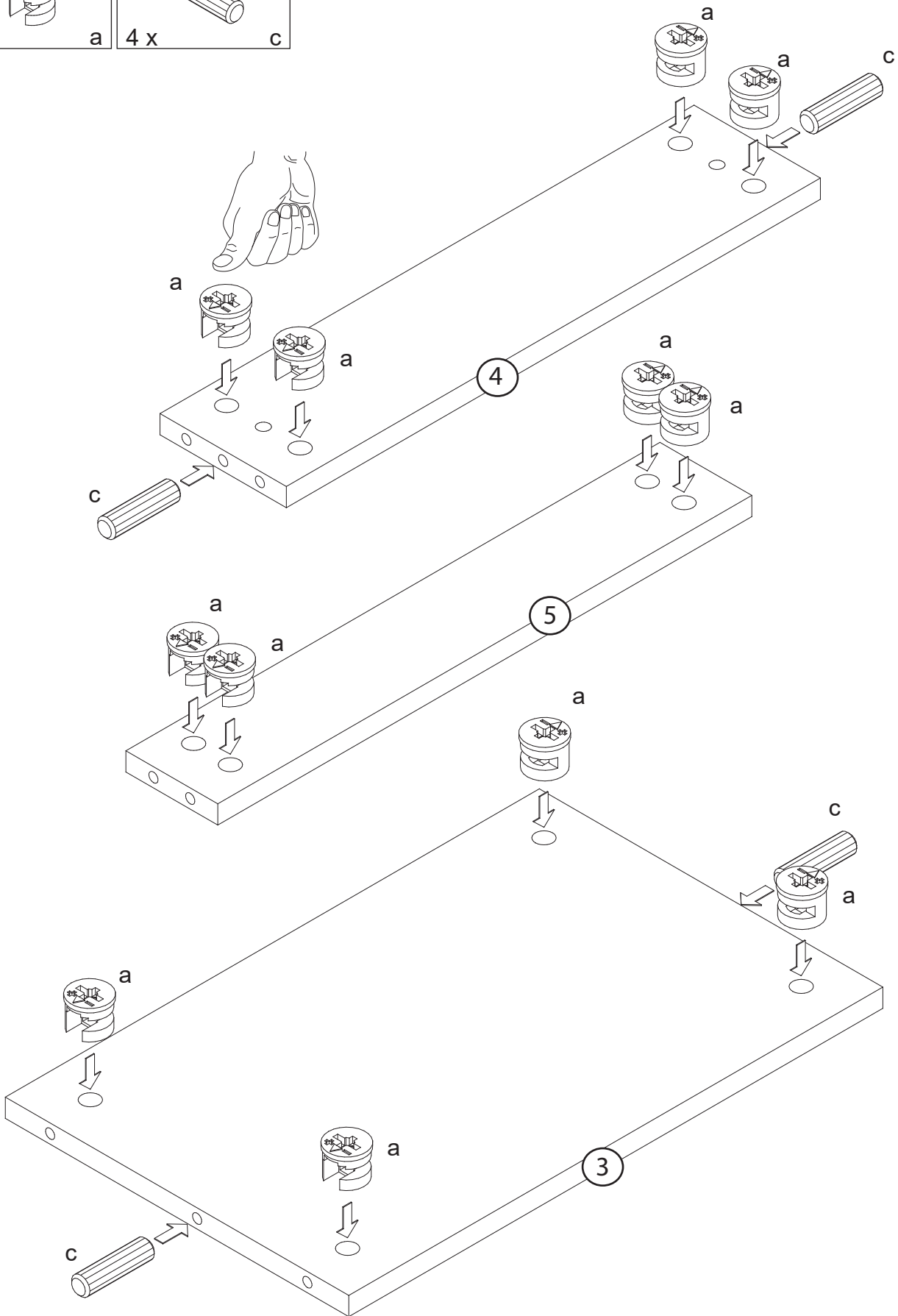
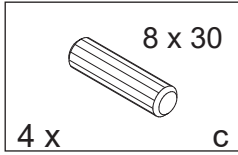
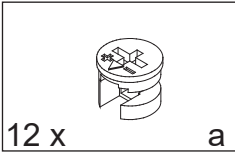
2 x

f

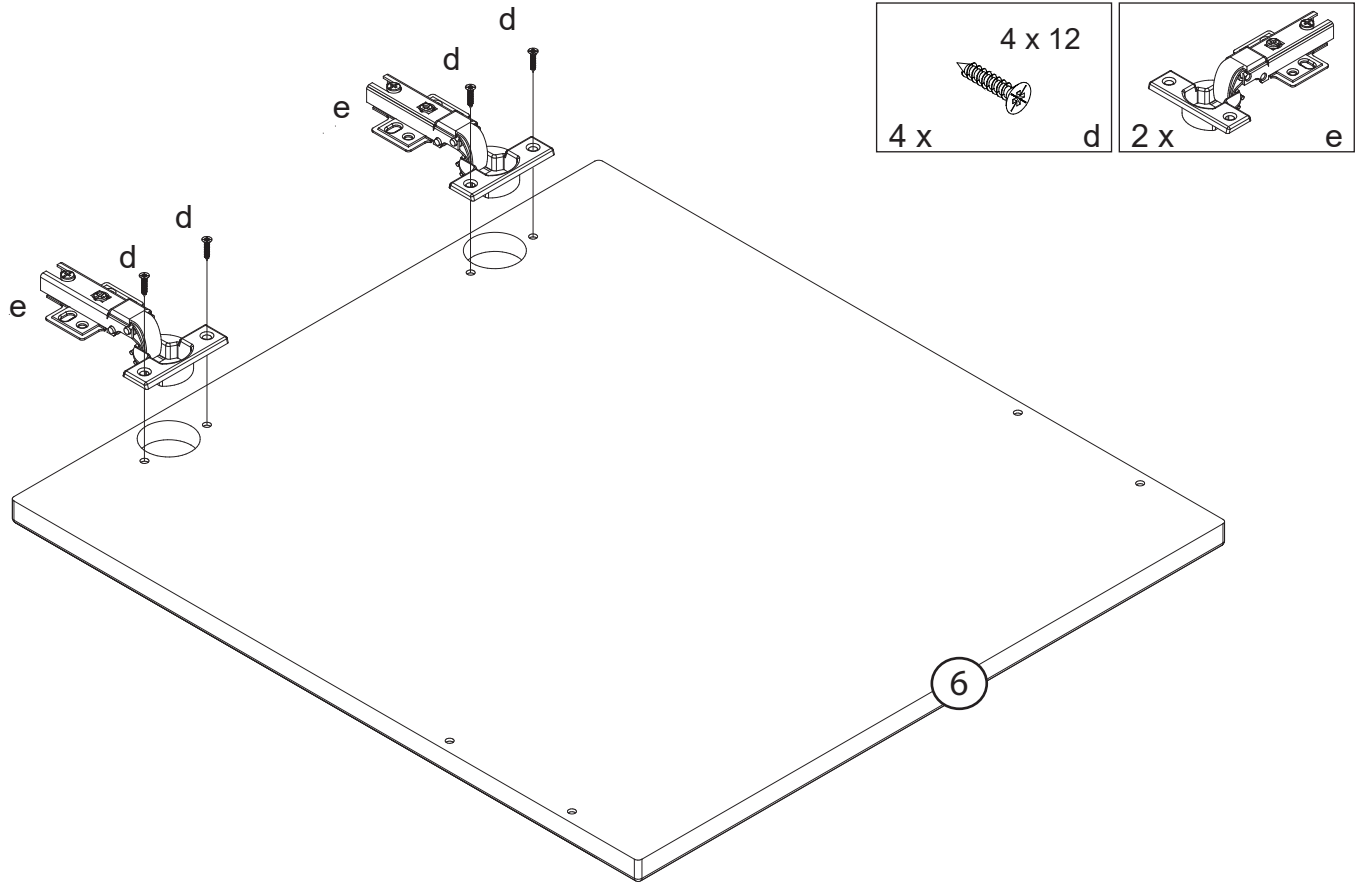
1



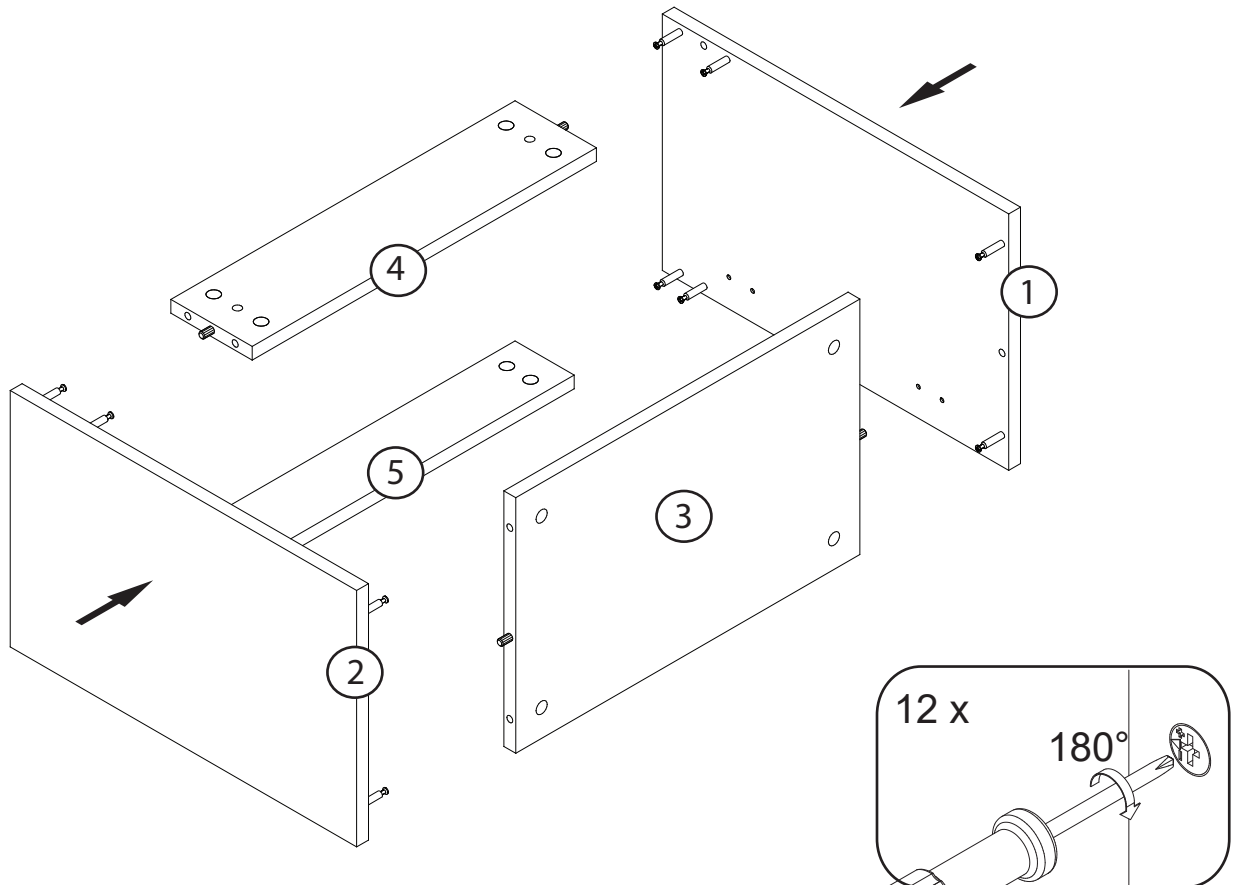
# 2



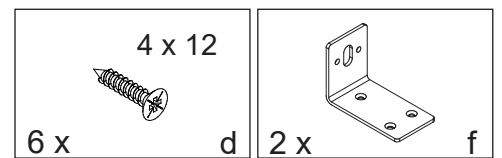
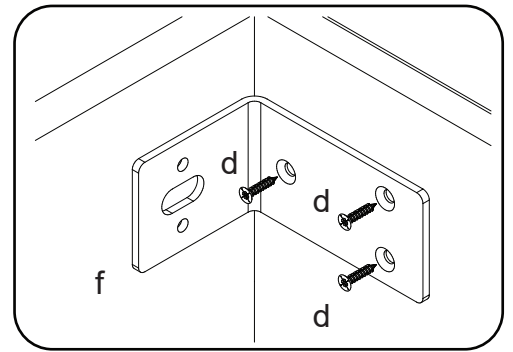
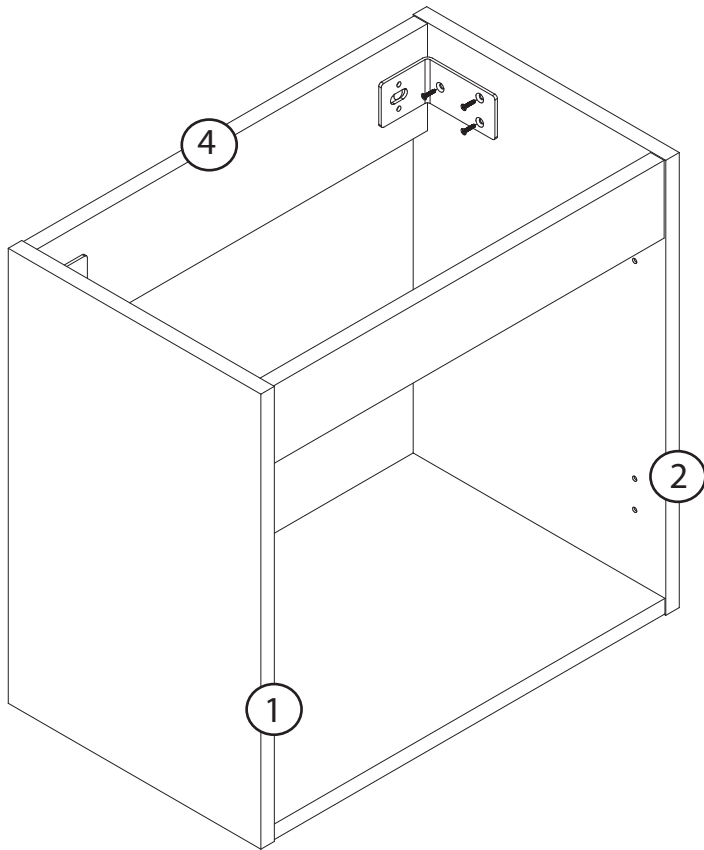
3



4



# 5



# 6

